

- NOTES:
1. ALL DIMENSION IN INCHES UNLESS OTHERWISE NOTED.
 2. SOME ROOF AND SIDEWALL PANELS HAVE BEEN OMITTED FOR CLARITY OF INSTALLATION
 3. SEE SHEET 2 FOR PARTS LIST



WARNING
Entrapment Hazard!
Lifeline, safety harness, and observer required for bin entry.
Failure to heed these warnings could result in serious injury or death.

DECAL 291571 TO BE PLACED BESIDE EACH ANCHOR POINT

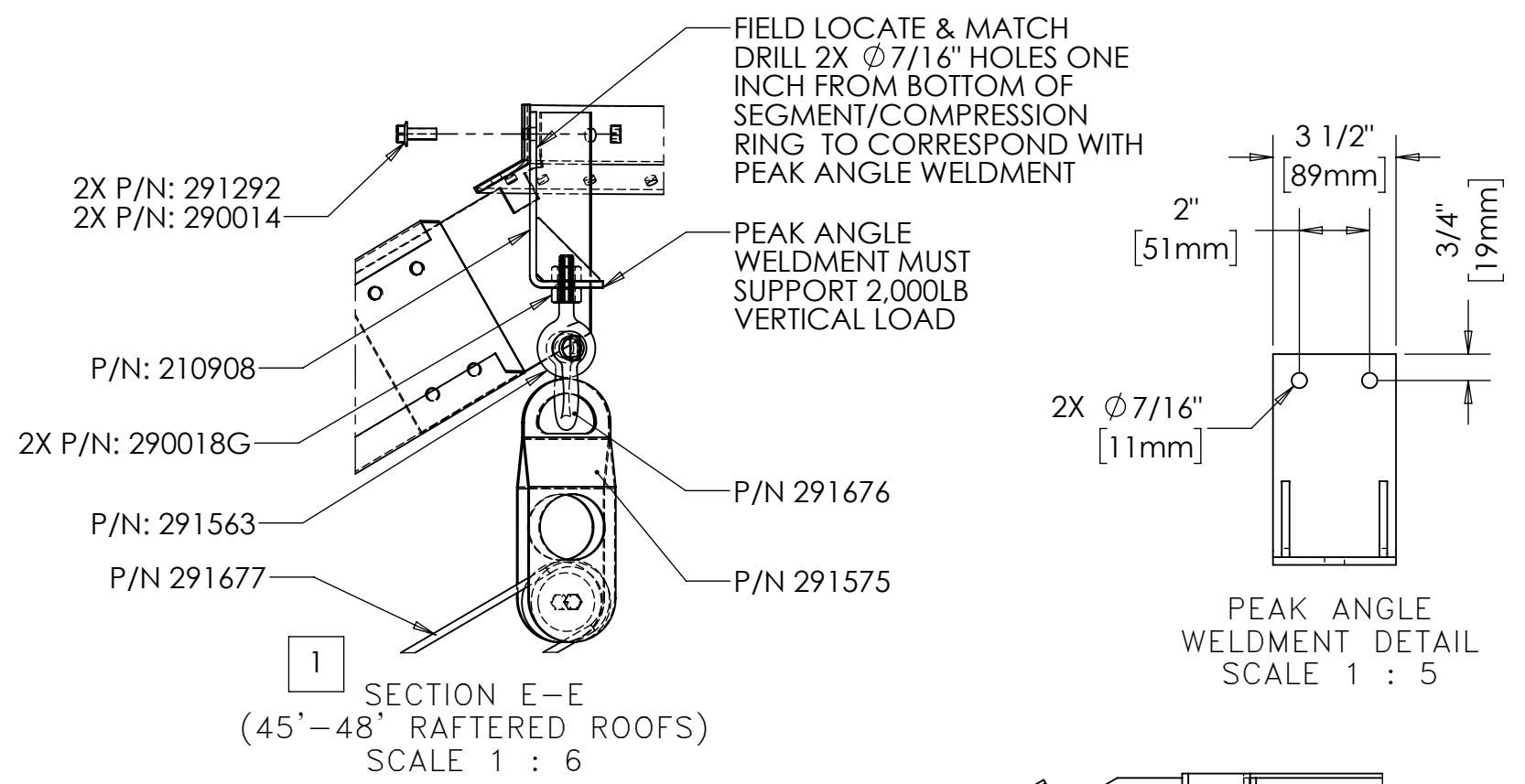
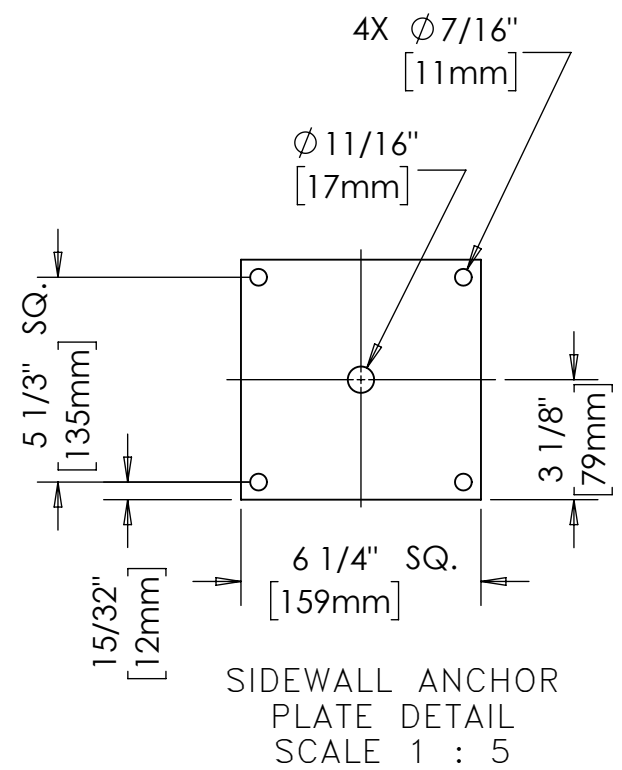
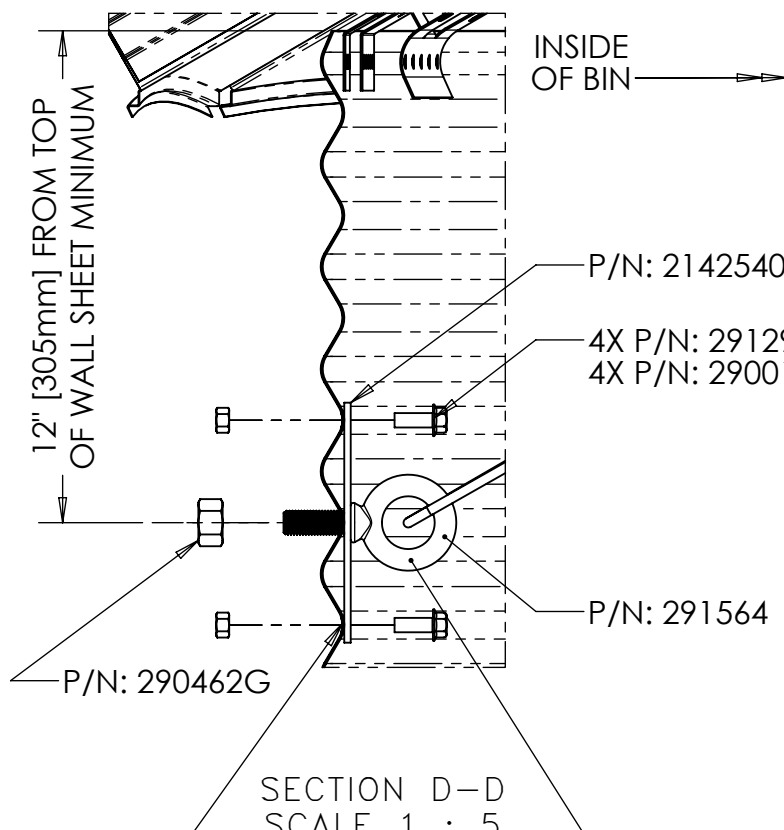
THIS DOCUMENT AND ALL CONTENT WITHIN IS THE PROPERTY OF SCAFCO GRAIN SYSTEMS AND MAY NOT BE REPRODUCED WITHOUT EXPRESS WRITTEN CONSENT. COPYRIGHT © 2017

UNLESS OTHERWISE SPECIFIED DIMENSIONS ARE IN INCHES. STANDARD TOLERANCES ARE:				DIMENSION TYPES:
ANGLES	X.X	X.XX	X.XXX	
± 1.0°	± 0.125	± 0.063	± 0.031	STANDARD (REFERENCE)



GRAIN ENTRAPMENT PREVENTION ANCHOR INSTALLATION DRAWING

REV.	BY	DATE	DESCRIPTION OF CHANGE	DRAWN	NAME	DATE	DRAWING NO.:	REV.
				ATM	ATM	24JAN17	219522ED	-
				CHECKED				
				APPROVED	MH	31JAN17	SCALE:1:20	SHEET 1 OF 2



FIELD LOCATE & MATCH DRILL 4X $\phi 7/16$ " HOLES AND 1X $\phi 11/16$ " HOLE TO CORRESPOND WITH SIDEWALL ANCHOR PLATE

NOTES:
HOLES WILL BE CENTERED ON INWARD FACING CORRUGATIONS
SEAL HOLES AS NEEDED USING SILICONE OR EQUIVALENT

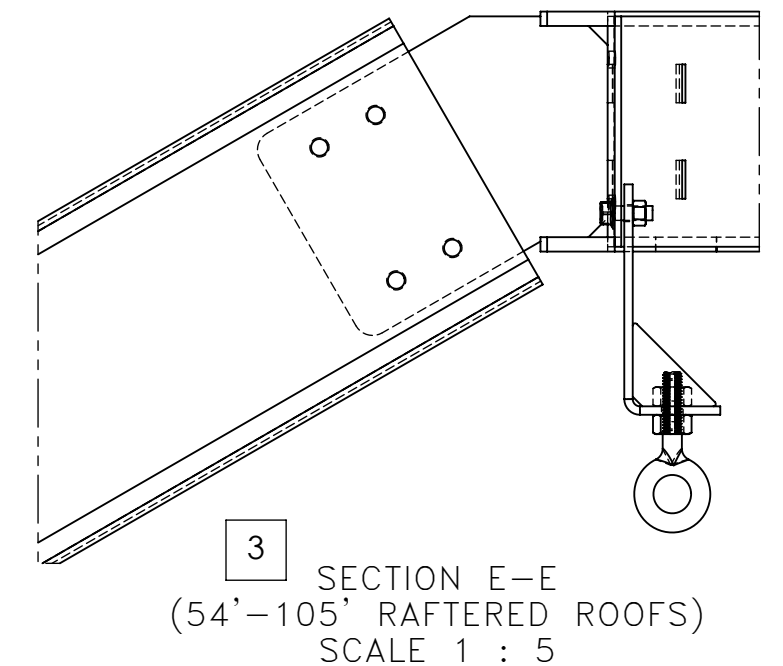
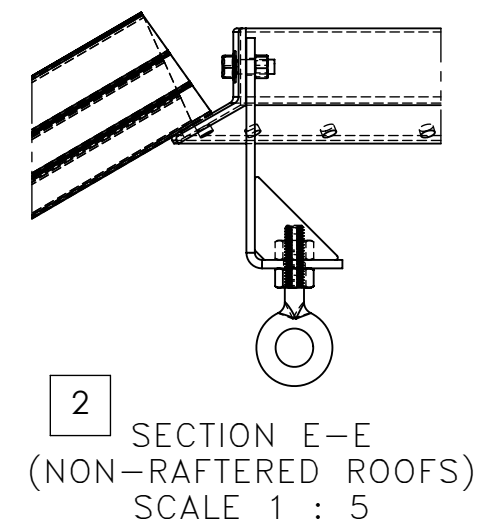
FINAL POSITION OF EYE BOLT TO BE VERTICAL AS SHOWN

NOTE:
SNUG TIGHTEN THE EYE BOLT NUT SO AS TO MINIMIZE DAMAGE TO THE WALL SHEET

FOLLOWING TIGHTENING UPSET THREADS ON EYE BOLT TO PREVENT LOOSENING

PARTS LIST

ITEM NO.	QTY.	PART NO.	DESCRIPTION
1	1	2142540	SIDEWALL ANCHOR PLATE 7 GA X 6 1/4" SQ.
2	1	210908	PEAK ANGLE WELDMENT
3	1	291563	GALVANIZED FORGED STEEL EYE BOLT 1/2"-13 X 2" NO SHOULDER
4	1	291564	GALVANIZED FORGED STEEL EYE BOLT 5/8"-11 X 1 3/4" W/ SHOULDER
5	6	290014	NUT HEX 3/8 GRADE 5
6	6	291292	BOLT HEX 3/8" X 1" FLANGE SERRATED
7	2	290018G	NUT HEX 1/2" GALVANIZED
8	1	290462G	NUT HEX HEAVY 5/8" GALVANIZED
9	1	290575	KNOT PASSING PULLEY
10	1	291676	1/2" THICK GALVANIZED ALLOY STEEL SHACKLE WITH SCREW PIN
11	1	291677	3/16" DOUBLE BRAID POLYESTER YACHT BRAID ROPE (130 FT.)
12	2	291571	ENTRAPMENT HAZARD DECAL



THIS DOCUMENT AND ALL CONTENT WITHIN IS THE PROPERTY OF SCAFCO GRAIN SYSTEMS AND MAY NOT BE REPRODUCED WITHOUT EXPRESS WRITTEN CONSENT. COPYRIGHT © 2017

UNLESS OTHERWISE SPECIFIED DIMENSIONS ARE IN INCHES. STANDARD TOLERANCES ARE:				DIMENSION TYPES:
ANGLES	X.X	X.XX	X.XXX	STANDARD (REFERENCE)
$\pm 1.0^\circ$	± 0.125	± 0.063	± 0.031	

SCAFCO
GRAIN SYSTEMS COMPANY

GRAIN ENTRAPMENT PREVENTION ANCHOR INSTALLATION DRAWING

DRAWN	NAME	DATE	DRAWING NO.:	REV.
CHECKED	ATM	24JAN17	219522ED	-
APPROVED	MH	31JAN17	SCALE:1:20	SHEET 2 OF 2